

DESCRIPTION

The 15660 is an economical, high resolution, dc voltage measuring meter. A high efficiency, red, LED display provides 4½ digit resolution with a standard single-ended input range of ±2 volts.

Selectable decimal point location, a Hold feature, selectable 115Vac/230Vac instrument power and selectable ±20/200Vdc input ranges allow easy integration into a variety of test/measurement/display applications.

Packaging is in a traditional NEMA style, panel mounted, enclosure. Connections are made using plug-in type screw terminal connectors.



FEATURES

- 4½ digit resolution
- 0.56", red, LED display
- Plug-in, screw terminal connectors
- Selectable decimal point location
- Selectable ±20/200Vdc input ranges (±2Vdc standard)
- Hold feature
- Selectable 115Vac/230Vac instrument power
- NEMA style panel cutout

SPECIFICATIONS

INPUT

Voltage Range Standard ±2Vdc
 Selectable ±20Vdc, ±200Vdc
 Impedance ≥1MΩ

DISPLAY 4½ digit, 0.56in., red, LED
 (display range is -19999 to 19999)

ACCURACY ±0.05% of reading, ±3 digits

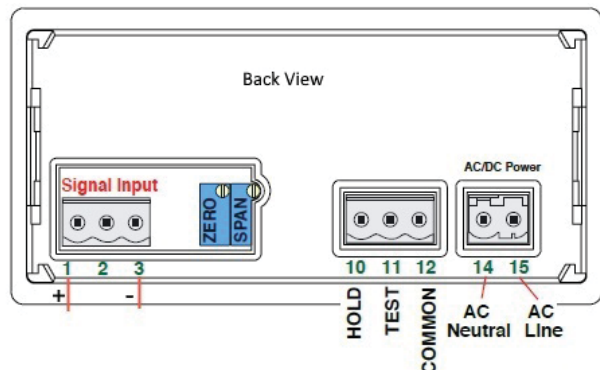
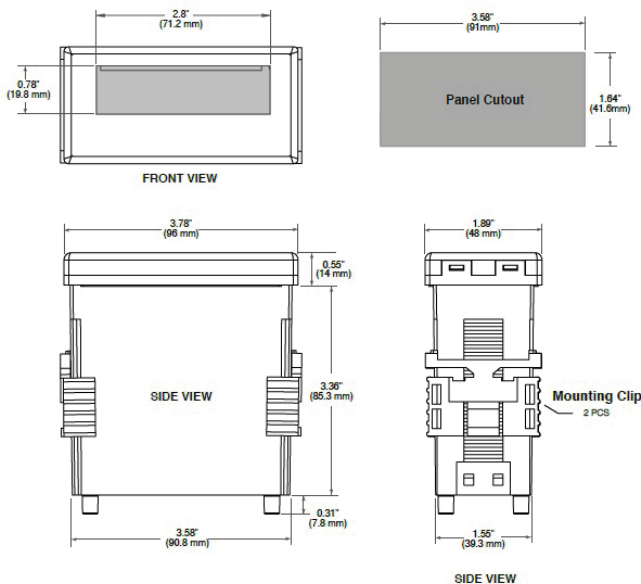
INSTRUMENT POWER

Standard ... Selectable... 115/230V, 50/60Hz, 2.5VA

TEMPERATURE

Range Operating -10°C to +50°C
 Storage -20°C to +70°C
 Effect 100ppm/°C, typical

DIMENSIONS and CONNECTIONS



This meter uses plug-in type screw terminal connectors for all connections.

Dwg# 0902-00894-B

Refer to separately supplied Operating/Installation Instructions for additional information.